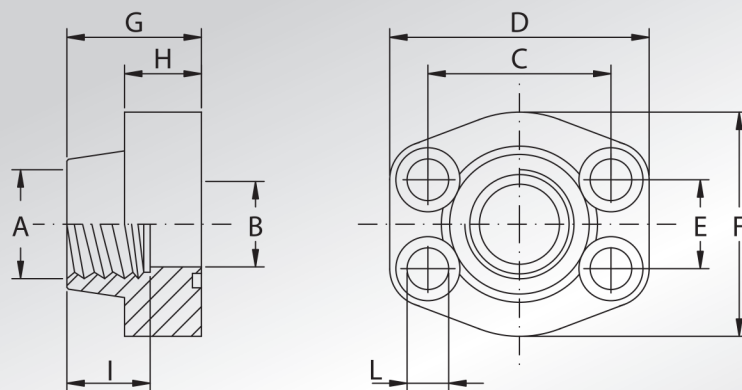


**FLANGE  
FILETTATE  
GAS**



**BSP  
THREADED  
FLANGES**



Pressione max di esercizio raccomandata Kg/cm <sup>2</sup>	Grandezza	Tipo	Dimensioni										Viti		Or tipo	Peso Kg
Maximum recommended working pressure Kg/cm <sup>2</sup>	Size	Type	Dimensions										Screws		Or type	Weight Kg
			A	B	C	D	E	F	G	H	I	L	Metric	Unc		

**SERIE 3000**

345	1/2"	AFS080G	1/2" GAS	13	38,10	57	17,48	46	36	16	19	9	M8x30	5/16"x1"1/4	4075	0,25
345	1/2"	AFS080G038	3/8" GAS	13	38,10	57	17,48	46	36	16	19	9	M8x30	5/16"x1"1/4	4075	0,27
345	3/4"	AFS100G	3/4" GAS	19	47,63	65	22,23	50	36	18	19	11	M10x35	3/8"x1"1/2	4100	0,37
345	3/4"	AFS100G012	1/2" GAS	13	47,63	65	22,23	50	36	18	19	11	M10x35	3/8"x1"1/2	4100	0,40
345	1"	AFS102G	1" GAS	25	52,37	70	26,19	55	38	18	22	11	M10x35	3/8"x1"1/2	4131	0,45
345	1"	AFS102G034	3/4" GAS	19	52,37	70	26,19	55	35	21	19	11	M10x40	3/8"x1"1/2	4131	0,51
276	1"1/4	AFS104G	1"1/4 GAS	32	58,72	79	30,18	68	41	21	22	11,5	M10x40	7/16"x1"3/4	4150	0,66
276	1"1/4	AFS104GL13	1"1/4 GAS	32	58,72	79	30,18	68	41	21	22	13,5	M12x40	-	4150	0,66
276	1"1/4	AFS104G100	1" GAS	25	58,72	81	30,18	65	42	25	22	11,5	M10x40	7/16"x1"3/4	4150	0,80
207	1"1/2	AFS106G	1"1/2 GAS	38	69,85	93	35,71	78	45	25	24	13,5	M12x45	1/2"x1"3/4	4187	1,05
207	1"1/2	AFS106G114	1"1/4 GAS	32	69,85	95	35,71	78	45	27	22	13,5	M12x45	1/2"x1"3/4	4187	1,17
207	2"	AFS108G	2" GAS	51	77,77	102	42,88	90	45	25	30	13,5	M12x45	1/2"x1"3/4	4225	1,17
207	2"	AFS108G112	1"1/2 GAS	38	77,77	102	42,88	90	45	25	24	13,5	M12x45	1/2"x1"3/4	4225	1,52
172	2"1/2	AFS110G	2"1/2 GAS	63	88,90	114	50,80	105	50	25	30	13,5	M12x45	1/2"x1"3/4	4275	1,59
173	2"1/2	AFS110G200	2" GAS	51	88,90	114	50,80	105	50	25	30	13,5	M12x45	1/2"x1"3/4	4275	2,13
138	3"	AFS112G	3" GAS	73	106,38	134	61,93	124	50	27	34	17,5	M16x50	5/8"x2"	4337	2,28
138	3"	AFS112G212	2"1/2 GAS	63	106,38	134	61,93	124	50	27	30	17,5	M16x50	5/8"x2"	4337	2,56
34	3"1/2	AFS114G	3"1/2 GAS	89	120,65	152	69,85	136	48	27	34	17,5	M16x50	5/8"x2"	4387	2,42
34	3"1/2	AFS114G300	3" GAS	73	120,65	152	69,85	136	48	27	34	17,5	M16x50	5/8"x2"	4387	3,28
34	4"	AFS116G	4" GAS	99	130,18	162	77,77	146	48	27	34	17,5	M16x50	5/8"x2"	4437	2,78
34	4"	AFS116G312	3"1/2 GAS	89	130,18	162	77,77	146	48	27	34	17,5	M16x50	5/8"x2"	4437	3,30
34	5"	AFS118G	5" GAS	120	152,40	184	92,08	180	50	28	30	17,5	M16x55	5/8"x2"1/4	4537	5,80

**SERIE 6000**

414	1/2"	AFS401G012	1/2" GAS	13	40,49	57	18,24	46	36	16	19	9	M8x30	5/16"x1"1/4	4075	0,25
414	1/2"	AFS401G038	3/8" GAS	13	40,49	57	18,24	46	36	16	19	9	M8x30	5/16"x1"1/4	4075	0,28
414	3/4"	AFS402G	3/4" GAS	19	50,80	71	23,80	55	35	21	22	11	M10x40	3/8"x1"1/2	4100	0,51
414	3/4"	AFS402G012	1/2" GAS	13	50,80	71	23,80	55	35	21	19	11	M10x40	3/8"x1"1/2	4100	0,56
414	1"	AFS403G	1" GAS	25	57,15	81	27,76	65	42	25	24	13	M12x45	7/16"x1"3/4	4131	0,81
414	1"	AFS403G034	3/4" GAS	19	57,15	81	27,76	65	42	25	22	13	M12x45	7/16"x1"3/4	4131	0,84
414	1"1/4	AFS404G	1"1/4 GAS	32	66,68	95	31,75	78	45	27	25	15	M14x45	-	4150	1,13
414	1"1/4	AFS404GL13	1"1/4 GAS	32	66,68	95	31,75	78	45	27	25	13,5	M12x45	1/2"x1"3/4	4150	1,13
414	1"1/4	AFS404G100	1" GAS	25	66,68	95	31,75	78	45	27	24	15	M14x45	-	4150	1,26
414	1"1/4	AFS404G100L13	1" GAS	25	66,68	95	31,75	78	45	27	24	13,5	M12x45	1/2"x1"3/4	4150	1,26
414	1"1/2	AFS405G	1"1/2 GAS	38	79,38	112	36,50	94	50	30	28	17	M16x55	5/8"x2"1/4	4187	1,81
414	1"1/2	AFS405G114	1"1/4 GAS	32	79,38	112	36,50	94	50	30	25	17	M16x55	5/8"x2"1/4	4187	1,95
414	2"	AFS406G	2" GAS	51	96,82	134	44,45	114	65	37	30	21	M20x70	3/4"x2"3/4	4225	3,31
414	2"	AFS406G112	1"1/2 GAS	38	96,82	134	44,45	114	65	37	28	21	M20x70	3/4"x2"3/4	4225	3,8
414	2"1/2	AFS507G *	2"1/2 GAS	63	123,80	180	58,70	152	80	45	35	26	M24x80	7/8"x3"1/4	4275	7
414	3"	AFS508G *	3" GAS	73	152,40	208	71,40	178	90	55	40	33	M30x100	1"1/8"x3"1/2	4337	11,2

**DESIGNAZIONE PER ORDINE  
DESIGNATION FOR ORDER**

Solo flangia  
Only flange

Flangia completa di viti metriche, grower e o-ring  
Flange complete of metric screws, grower type washers and o-ring

Flangia completa di viti unc, grower e o-ring  
Flange complete of unc screws, grower type washers and o-ring

**Materiale / Material**

**S355**

**AISI 316L**

**AFS...G**

**AFX...G**

**AFS...GM**

**AFX...GM**

**AFS...GU**

**AFX...GU**

**NOTE / NOTES**

set viti unc disponibili solo in acciaio al carbonio  
unc screws set available only in carbon stel

\*set viti disponibili solo metriche in acciaio al carbonio  
\*screws set available only metric in carbon steel