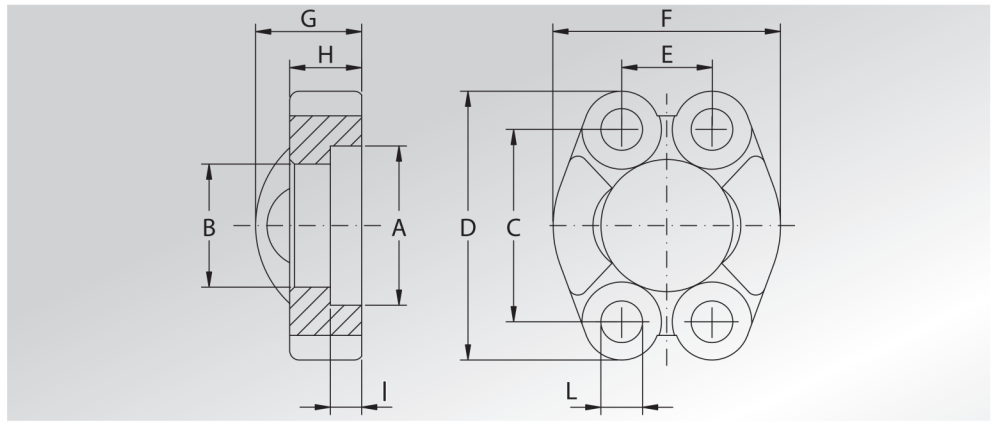




SEMIFLANGE INTERE

UNCUT SPLIT FLANGES



Pressione max di esercizio raccomandata Kg/cm ²	Grandezza	Tipo	Dimensioni										Viti		Peso Kg
Maximum recommended working pressure Kg/cm ²	Size	Type	Dimensions										Screws		Weight Kg
			A	B	C	D	E	F	G	H	I	L	Metric	Unc	

SERIE 3000

345	1/2"	AFSI301B	30,96	24,26	38,10	54	17,48	45,6	19	13	6,22	8,75	M8x30	5/16"x1"1/4	0,12
345	3/4"	AFSI302B	38,89	32,13	47,63	65	22,23	51,8	22	14	6,22	10,75	M10x35	3/8"x1"1/2	0,16
345	1"	AFSI303B	45,24	38,48	52,37	70	26,19	58,4	24	16	7,49	10,75	M10x35	3/8"x1"1/2	0,22
276	1"1/4	AFSI304B	51,59	43,69	58,72	79	30,18	72,6	22	14	7,49	12,00	M10x35	7/16"x1"3/4	0,30
276	1"1/4	AFSI304L1075B	51,59	43,69	58,72	79	30,18	72,6	22	14	7,49	10,75	M10x35	-	0,30
276	1"1/4	AFSI304L1275B	51,59	43,69	58,72	79	30,18	72,6	22	14	7,49	12,75	M12x35	-	0,30
207	1"1/2	AFSI305B	61,09	50,80	69,85	94	35,71	82,2	25	16	7,49	13,50	M12x35	1/2"x1"3/4	0,43
207	1"1/2	AFSI305L1475B	61,09	50,80	69,85	94	35,71	82,2	25	16	7,49	14,75	M14x45	-	0,43
207	2"	AFSI306B	72,24	62,74	77,77	102	42,88	96,4	26	16	9,02	13,50	M12x35	1/2"x1"3/4	0,56
207	2"	AFSI306L1475B	72,24	62,74	77,77	102	42,88	96,4	26	16	9,02	14,75	M14x45	-	0,54
172	2"1/2	AFSI307B	84,94	74,93	88,90	114	50,80	108,2	38	19	9,02	13,50	M12x40	1/2"x1"3/4	0,74
172	2"1/2	AFSI307L1475B	84,94	74,93	88,90	114	50,80	108,2	38	19	9,02	14,75	M14x45	-	0,74
138	3"	AFSI308B	102,39	90,93	106,38	135	61,93	130,6	41	22	9,02	16,75	M16x50	5/8"x2"	1,30
34	3"1/2	AFSI309B	115,10	102,36	120,65	152	69,85	139,0	28	22	10,72	17,00	M16x50	5/8"x2"	1,27
34	4"	AFSI310B	127,79	115,06	130,18	162	77,77	152,0	35	25	10,72	17,00	M16x50	5/8"x2"	1,65
34	5"	AFSI311B	153,19	140,46	152,40	184	92,08	180,0	41	28	10,72	17,00	M16x55	5/8"x2"1/4	2,50

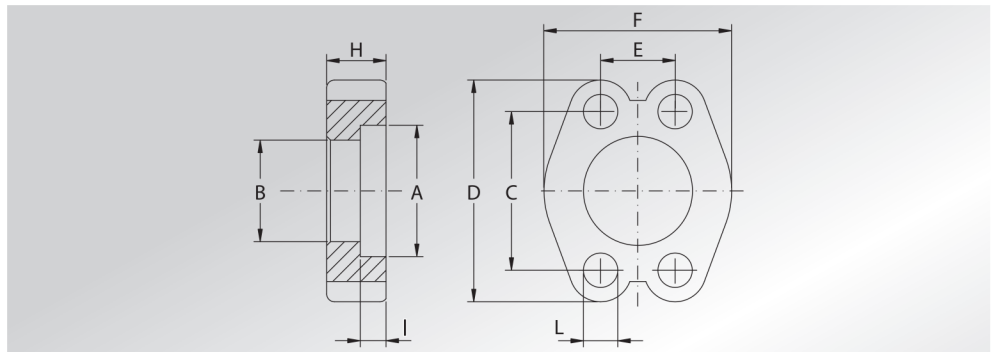
SERIE 6000

414	1/2"	AFSI601B	32,54	24,64	40,49	56	18,24	47,2	22	16	7,24	8,75	M8x30	5/16"x1"1/4	0,16
414	3/4"	AFSI602B	42,06	32,51	50,80	71	23,80	60,0	28	19	8,26	11,00	M10x35	3/8"x1"1/2	0,34
414	1"	AFSI603B	48,41	38,86	57,15	81	27,76	69,6	33	24	9,02	13,00	M12x45	-	0,51
414	1"	AFSI603L12B	48,41	38,86	57,15	81	27,76	69,6	33	24	9,02	12,00	-	7/16"x1"3/4	0,51
414	1"1/4	AFSI604	54,76	44,45	66,68	95	31,75	77,2	38	27	9,78	15,00	M14x45	-	0,80
414	1"1/4	AFSI604L13B	54,76	44,45	66,68	95	31,75	77,2	38	27	9,78	13,50	M12x45	1/2"x1"3/4	0,80
414	1"1/2	AFSI605B	64,29	51,56	79,38	113	36,50	95,0	43	30	12,07	17,00	M16x55	5/8"x2"1/4	1,44
414	2"	AFSI606B	80,16	67,56	96,82	133	44,45	113,8	52	37	12,07	21,00	M20x70	3/4"x2"3/4	2,10



SEMIFLANGE PIATTE INTERE

UNCUT FLAT SPLIT FLANGES



414	2"1/2	AFPI607 *	108,5	89,50	123,8	180	29,35	76,0	-	45	20,00	26,00	M24x80	7/8"x3"1/4	4,60
414	3"	AFPI608 *	132,5	114,50	152,4	208	35,7	89,0	-	55	25,00	33,00	M30x100	1"1/8"x3"1/2	6,70

DESIGNAZIONE PER ORDINE DESIGNATION FOR ORDER

Solo semiflanguia intera
Only uncut split flange

Semiflanguia intera completa di viti metriche, grower e o-ring
Uncut split flange complete of metric screws, grower type washers and o-ring

Semiflanguia intera completa di viti unc, grower e o-ring

Materiale / Material

S355	AISI 316L
AFSI...B / AFPI...	AFXI... / AFPXI...

AFSI...BM / AFPI...M	AFXI...M
----------------------	----------

NOTE / NOTES

Rivestimento superficiale : zincatura Cr3

Superficial coating : zinking Cr3

set viti unc disponibili solo in acciaio al carbonio

unc screws set available only in carbon steel

* set viti disponibili solo metriche in acciaio al carbonio

* screws set available only metric in carbon steel

* NON ZINCATE