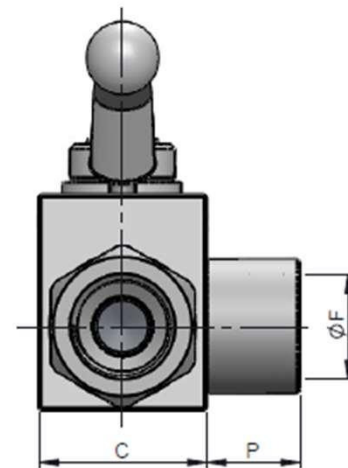
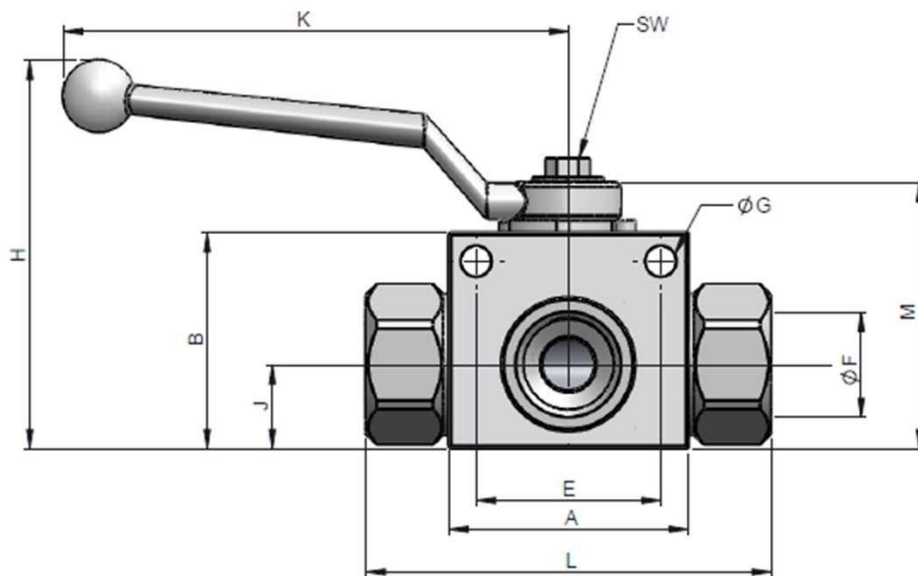




432 SERIES

V3RH

3-WAY VALVE: F – F – F
 CARBON STEEL
 BSP / NPTF / ISO 11926 (J1926)



(S)	D / F	With M.H.	Without M.H.		CH1	L	A	B	M	K	H	J	C	SW	Ø G	E	P
6	1/4" BSP	432.1111AB	432.1011AB	500	22	72.50	40	35	45.50	105.50	71	13	26	9	4.50	320	16
	1/4" NPTF	432.1111BB	432.1011BB														13
	7/16"- 20h UNF(ORB)	432.1111GA	432.1011GA														14
10	3/8" BSP	432.1112AC	432.1012AC	500	27	75.50	45	40	50.50	105.50	76	16	32	9	5.20	320	15
	3/8" NPTF	432.1112BC	432.1012BC														16
	9/16" -18h UNF(ORB)	432.1112GC	432.1012GC														16
13	1/2" BSP	432.1113AD	432.1013AD	500	30	84.50	50	45	55.50	105.50	81	17.50	35	9	6.50	38.50	19.50
	1/2" NPTF	432.1113BD	432.1013BD														
	3/4" – 16h UNF(ORB)	432.1113GF	432.1013GF														
20	3/4" BSP	432.1114AE	432.1014AE	400	41	93.50	60	60	73	159.50	108	23	50	14	6.50	48.50	19
	3/4" NPTF	432.1114BE	432.1014BE														21
	1 1/16"-12h UN(ORB)	432.1114GK	432.1014GK														
25	1" BSP	432.1115AF	432.1015AF	350	46	114.50	65	65	80	159.50	115	27.50	57	14	8.50	50.50	25
	1" NPTF	432.1115BF	432.1015BF		25												
	1 1/4" BSP	432.1115AG	432.1015AG		31												
	1 1/4" NPTF	432.1115BG	432.1015BG		25												
	1 1/2" BSP	432.1115AH	432.1015AH		32												
	1 1/2" NPTF	432.1115BH	432.1015BH		25												
	1 5/16" -12h UN(ORB)	432.1115GO	432.1015GO		25												

