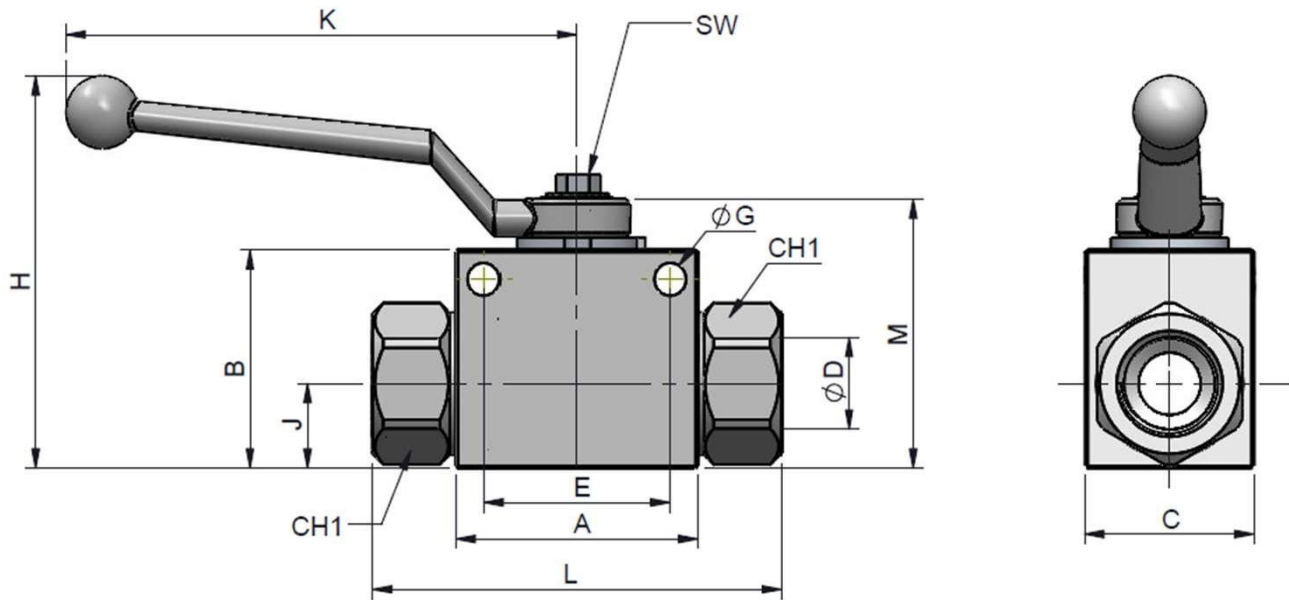




402 SERIES

V2RH

2 WAYS: F - F
 CARBON STEEL
 BSP / NPTF / ISO 11926 (J1926)



(S)	D	With M.H.	Without M.H.		CH1	L	A	B	M	K	H	J	C	SW	ØG	E
6	1/4" BSP	402.1111AB	402.1011AB	500	22	75	40	35	45.50	105.50	71	13	26	9	4.50	320
	1/4" NPTF	402.1111BB	402.1011.BB													
	7/16"- 20h UNF	402.1111GA	402.1011GA													
10	3/8" BSP	402.1112AC	402.1012AC	500	27	76	45	40	50.50	105.50	76	16	32	9	5.20	320
	3/8" NPTF	402.1112BC	402.1012BC													
	9/16"- 18h UNF	402.1112GC	402.1012GC													
13	1/2" BSP	402.1113AD	402.1013AD	500	30	85	50	45	55.50	105.50	81	17.50	35	9	6.50	38.50
	1/2" NPTF	402.1113BD	402.1013BD													
	3/4"- 16h UNF	402.1113GF	402.1013GF													
20	3/4" BSP	402.1114AE	402.1014AE	400	41	93	60	58	73	159.50	108	23	50	14	6.50	48.50
	3/4" NPTF	402.1114BE	402.1014BE													
	1 1/16"- 12h UN	402.1114GK	402.1014GK													
25	1" BSP	402.1115AF	402.1015AF	350	46	115	65	65	80	159.50	115	27.50	57	14	8.50	50.50
	1" NPTF	402.1115BF	402.1015BF													
	1 1/4" BSP	402.1115AG	402.1015AG													
	1 1/4" NPTF	402.1115BG	402.1015BG													
	1 1/2" BSP	402.1115AH	402.1015AH													
	1 1/2" NPTF	402.1115BH	402.1015BH													
	1 5/16"-12h UN	402.1115GO	402.1015GO													

