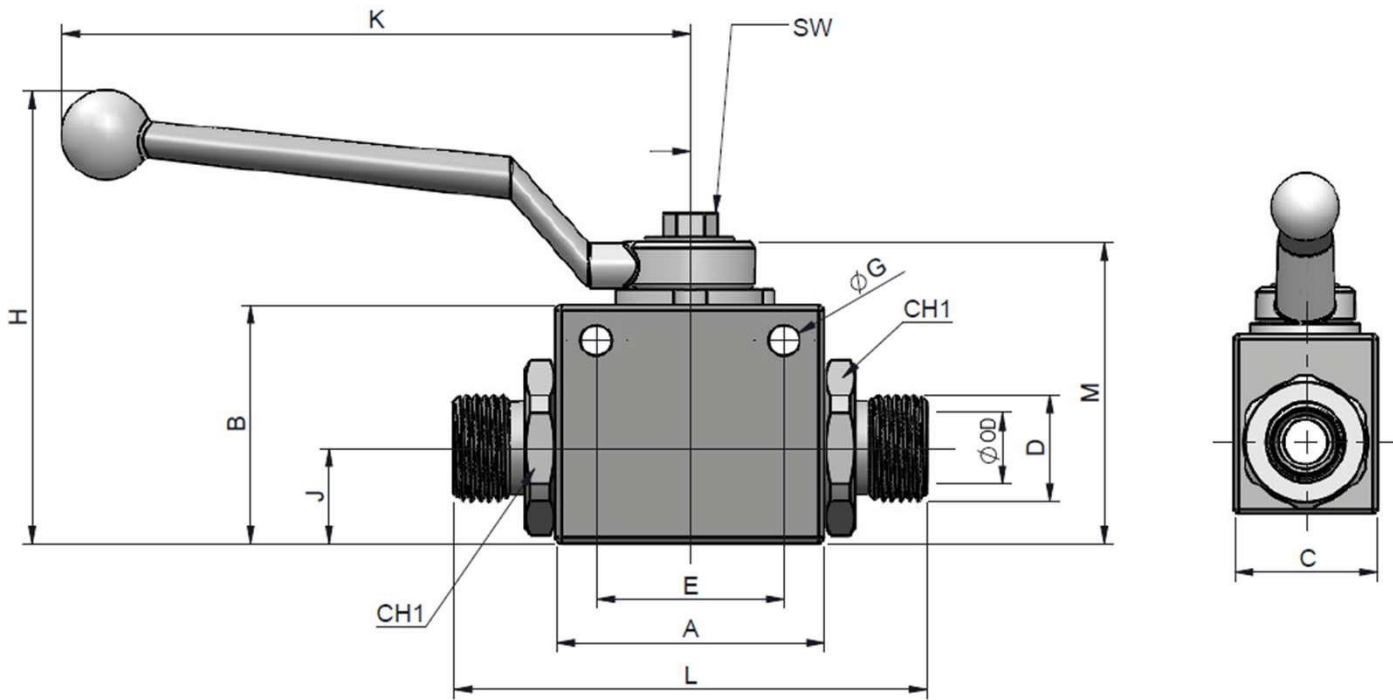





402 SERIES

V2MT

2-WAY VALVE: M – M
CARBON STEEL
DIN 2353 (ISO 8434-1)



(S)	D	OD	With M.H.	Without M.H.		CH1	L	A	B	M	K	H	J	C	SW	Ø G	E
6	M12x1.5	6L	402.1111JB	402.1011JB	500	22	79	40	35	45.50	106	71	13	26	9	4.50	320
	M14x1.5	8L	402.1111JC	402.1011JC			80										
	M16x1.5	8S	402.1111KD	402.1011KD			80										
	M18x1.5	10S	402.1111KE	402.1011KE			80										
10	M16x1.5	10L	402.1112JD	402.1012JD	500	27	77	45	35	50.50	106	76	16	32	9	5.20	320
	M18x1.5	12L	402.1112JE	402.1012JE			80										
	M22x1.5	15L	402.1112JG	402.1012JG			80										
	M20x1.5	12S	402.1112KF	402.1012KF			80										
13	M22x1.5	14S	402.1112KG	402.1012KG	500	27	80	45	35	50.50	106	76	16	32	9	5.20	320
	M22x1.5	15L	402.1113JG	402.1013JG			80										
	M26x1.5	18L	402.1113JI	402.1013JI			30										
	M24x1.5	16S	402.1113KH	402.1013KH			30										
20	M30x2.0	20S	402.1113KJ	402.1013KJ	400	41	108	60	58	73	160	108	23	50	14	6.50	48.50
	M30x2.0	22L	402.1114JJ	402.1014JJ			108										
	M36x2.0	25S	402.1114KK	402.1014KK			115										
25	M36x2.0	28L	402.1115JK	402.1015JK	350	46	114	65	65	80	160	115	27.50	57	14	8.50	50.50
	M42x2.0	30S	402.1115KL	402.1015KL			129										

