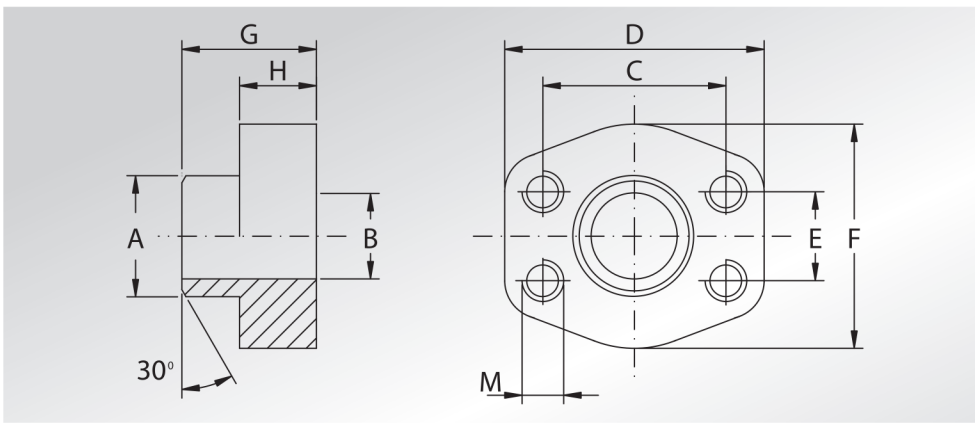


**CONTROFLANGE
A SALDARE
DI TESTA SCH.80**



**WELD ON
COUNTER-FLANGES
SCH.80**



Pressione max di esercizio raccomandata Kg/cm ²	Grandezza	Tipo	Dimensioni										Peso Kg
Maximum recommended working pressure Kg/cm ²	Size	Type	Dimensions										Weight Kg
			A	B	C	D	E	F	G	H	M		

SERIE 3000

												Metric	Unc	
345	1/2"	GFS080ST	21,5	13	38,10	57	17,48	46	36	16	M8	5/16"		0,25
345	1/2"	GFS080ST038	17,5	13	38,10	57	17,48	46	36	16	M8	5/16"		0,23
345	3/4"	GFS100ST	28,0	19	47,63	65	22,23	50	36	18	M10	3/8"		0,39
345	1"	GFS102ST	34,0	25	52,37	70	26,19	55	38	18	M10	3/8"		0,45
276	1"1/4	GFS104ST	42,8	32	58,72	79	30,18	68	41	21	M10	7/16"		0,69
207	1"1/2	GFS106ST	48,6	38	69,85	93	35,71	78	44	25	M12	1/2"		1,05
207	2"	GFS108ST	61,0	51	77,77	102	42,88	90	45	25	M12	1/2"		1,22
172	2"1/2	GFS110ST	77,0	63	88,90	114	50,80	105	50	25	M12	1/2"		1,63
138	3"	GFS112ST	92,0	73	106,38	134	61,93	124	50	27	M16	5/8"		2,42
34	3"1/2	GFS114ST	103,0	89	120,65	152	69,85	136	48	27	M16	5/8"		2,49
34	4"	GFS116ST	115,5	99	130,18	162	77,77	146	48	27	M16	5/8"		2,94
34	5"	GFS118ST	140,2	120	152,40	184	92,08	180	50	28	M16	5/8"		5,00

SERIE 6000

414	1/2"	GFS401ST012	21,5	13	40,49	57	18,24	46	36	16	M8	5/16"		0,25
414	1/2"	GFS401ST038	17,5	13	40,49	57	18,24	46	36	16	M8	5/16"		0,23
414	3/4"	GFS402ST	28,0	19	50,80	71	23,80	55	35	21	M10	3/8"		0,52
414	1"	GFS403ST	34,0	25	57,15	79	27,76	68	41	21	M12	7/16"		0,70
375	1"1/4	GFS404ST	42,8	32	66,68	93	31,75	78	44	25	M14	1/2"		1,08
320	1"1/2	GFS405ST	48,6	38	79,38	112	36,50	94	55	30	M16	5/8"		1,76
250	2"	GFS406ST	61,0	51	96,82	134	44,45	114	65	37	M20	3/4"		2,98
230	2"1/2	GFS507ST	76,6	63	123,80	180	58,70	152	80	45	M24	7/8"		7,00
200	3"	GFS508ST	90,0	73	152,40	208	71,40	178	90	55	M30	1"1/8		11,5

PER QUESTA TIPOLOGIA DI PRODOTTO, VERIFICATE SEMPRE SE LA QUOTA "A" E "B" CORRISPONDE ALLA SCHEDULA DEL VOSTRO TUBO

FOR THIS KIND OF PRODUCT, PLEASE ALWAYS VERIFY IF DIMENSION "A" AND "B" CORRESPOND TO THE SCHEDULE OF YOUR TUBE

DESIGNAZIONE PER ORDINE DESIGNATION FOR ORDER	Materiale / Material	
	S355	AISI 316L
Controflangia con fori di fissaggio filettati metrici Counter-flange with metric threaded fixing holes	GFS...ST	GFX...ST
Controflangia con fori di fissaggio filettati unc Counter-flange with unc threaded fixing holes	GFS...STU	GFX...STU